



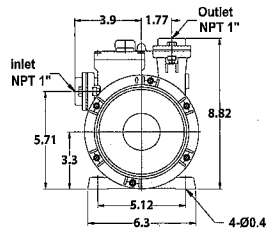
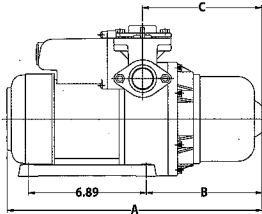
WALRUS®

TQ Series Electronic Control Pump

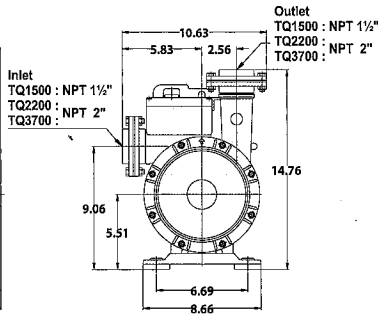
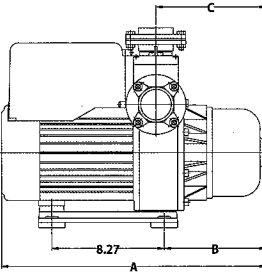
Materials

Part name	TQ200/400	TQ800	TQ1500/2200/3700
Pump casing	glass filled noryl		
Filling plug	NyLon		
Outlet & Inlet	SUS 304		
Intermediate Chamber	glass filled polycarbonate	SUS 304	
Impeller	glass filled noryl	SUS 304	
Mechanical Seal	Ceramic+Carbon+NBR	Carbon+SiC+Viton	
Shaft	SUS 410	SUS 304	
Motor Shell	Coating Steel	Aluminum alloy	

Dimensions: (in.) TQ200/400/800



TQ1500/2200/3700



Model	A (in.)	B (in.)	C (in.)
TQ 200	14.37	6.26	6.46
TQ 400	14.92	6.77	6.97
TQ 800	17.76	7.80	7.99
TQ1500~3700	19.72	7.76	8.35

Suction Lift Performance Table

Model	Discharge pressure in psi	Capacity in US gallons per Minute						Max discharge pressure (psi)
		Suction Lift in Feet						
		0	5	10	15	20	25	
TQ200	10	12.6	11.4	10.2	9.2	8.2	7.1	31
	20	7.7	6.4	5.2	3.8	2.4	0.5	
TQ400	10	16.6	15.6	14.6	13.6	12.7	11.7	40
	20	12.0	11.0	10.0	9.0	7.8	6.6	
	30	7.1	5.8	4.5	3.2	2.0	0.6	
TQ800	10	22.4	22.1	21.7	21.3	20.8	20.5	67
	20	20.7	20.2	19.8	19.2	18.8	18.2	
	30	18.3	17.8	17.1	16.2	15.3	14.2	
	40	14.7	13.8	12.9	12.1	11.1	10.2	
	50	10.5	9.3	8.1	6.9	5.6	4.3	
TQ1500	10	66.2	65.0	63.7	62.0	60.2	58.1	58
	20	58.2	57.0	55.3	53.7	51.7	49.0	
	30	50.0	47.3	44.3	41.8	39.7	37.2	
	40	38.2	35.7	32.5	29.0	24.8	20.0	
TQ2200	10	69.0	69.0	68.7	67.8	66.7	65.3	60
	20	65.8	64.4	62.8	61.2	59.3	57.2	
	30	58.0	55.9	53.3	50.5	47.2	43.5	
	40	45.0	41.2	37.6	34.1	30.0	24.6	
TQ3700	10	70.9	70.4	70.0	69.5	69.2	68.7	72
	20	68.9	68.5	68.2	67.9	67.3	66.2	
	30	66.7	65.5	64.2	62.8	61.3	59.8	
	40	60.4	58.5	56.5	54.3	51.9	48.8	
	50	50.0	46.6	42.8	39.0	35.8	32.6	
60	34.0	30.4	25.8	20.0	12.7	5.7		

Note - The total system pressure will be :
"the inlet supply pressure + max pump boost pressure."

Specification:

Model	Power (HP)	Cycle (Hz)	Phase (Ø)	Voltage (V)	Amp's (A)	Inlet (NPT)	Outlet (NPT)	Preset activation pressure (psi)	Max discharge pressure (psi)	Q max. (GPM)	N.W. (lbs)
TQ200	¼	60	1	115 or 230	4.0 or 2.0	1"	1"	17	31	16.9	16.3
TQ400	½	60	1	115 or 230	6.0 or 3.0	1"	1"	26	40	18.5	19.6
TQ800	1	60	1	115 or 230	11.0 or 5.5	1"	1"	36	67	23.8	25.6
TQ1500	2	60	1 or 3	230	9.5 or 6.5	1½"	1½"	43	58	66.0	62.8
TQ2200	3	60	3	230	9.5	2"	2"	43	60	71.3	68.3
TQ3700	5	60	3	230	12	2"	2"	43	72	71.3	74.4